

Led moulding profile

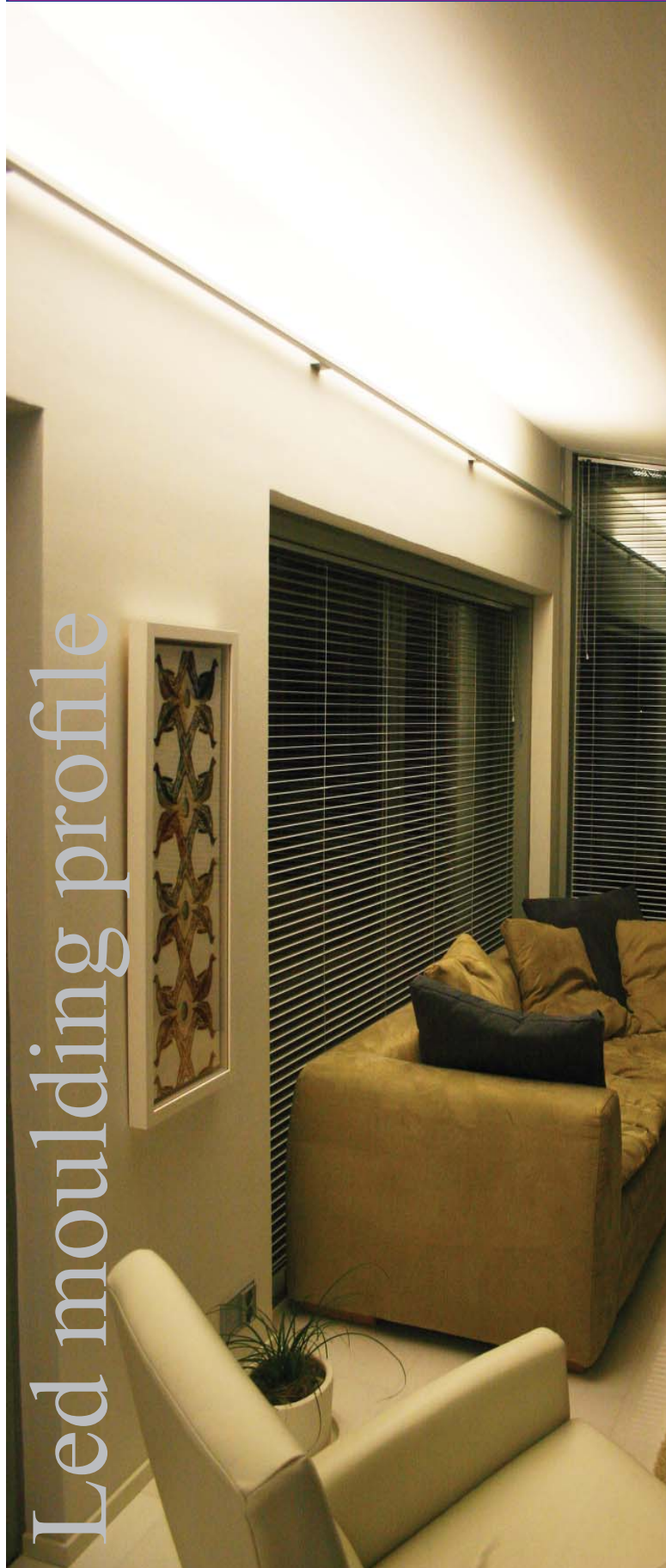


We reserve the right
to make changes to
our products.

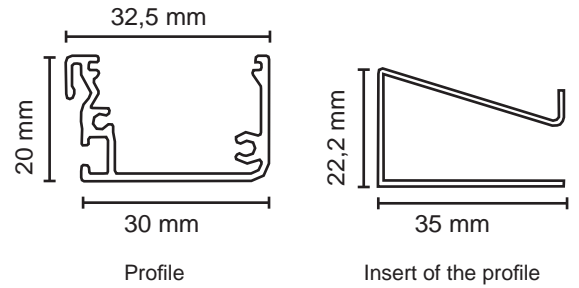
Candeo L.

Made in Finland
www.candeoeffect.com

Led moulding lights



Led moulding profile



Frame	Anodized aluminum
Power	24 VDC
Operating temperature	- 40 °C - + 60 °C
Life time	100.000 h with a 30 % decrease in luminous flux
Warranty	Light unit: 6 years

Made in Finland

www.candeeffect.com

Candee E.

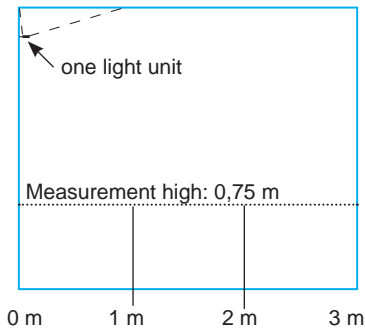
We reserve the right to make changes to our products.

Led moulding lights

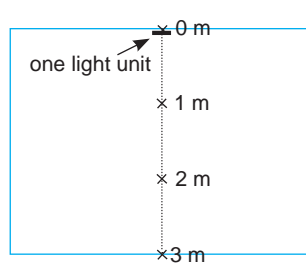
Demonstration of the measurement:



Scratch template of the room:



Bottom view:



Size of the room:
High: 2,5 m
Length: 4,0 m
Deep: 3,0 m

Measurement result for one light unit (450 mm):

Neutral White CRI 80	Luminous flux of the light source: 300 lm
Distance	Illuminance maximum (lx)
0 cm	3,9 lx
100 cm	7,2 lx
200 cm	4,0 lx
300 cm	2,1 lx

Warm White CRI 80	Luminous flux of the light source: 300 lm
Distance	Illuminance maximum (lx)
0 cm	4,6 lx
100 cm	8,6 lx
200 cm	4,8 lx
300 cm	3,0 lx

Led moulding profile

Product code	Model	Frame	Colour	W	K	Led
CEL330 229 100	Led light unit 450 mm		warm white	7	2700	Rebel
CEL330 229 200	Led light unit 450 mm		neutral white	7	4000	Rebel
CEL330 229 900	Led light unit "Dynamic"		warm white + cool white	7	2700-5000	Rebel
CEL680 231 000	Connecting card 1 - 10 VDC Dimming					
CEL530 205 000	Insert of the profile 8 pieces	Anodized aluminum				
CEL430 205 000	Profile l=2900 mm x 2 pieces	Anodized aluminum				
CEL 30041	Power LED 100W DC 24 V	Aluminum				

Notice: Maximum amount is 10 pieces for one power connection.



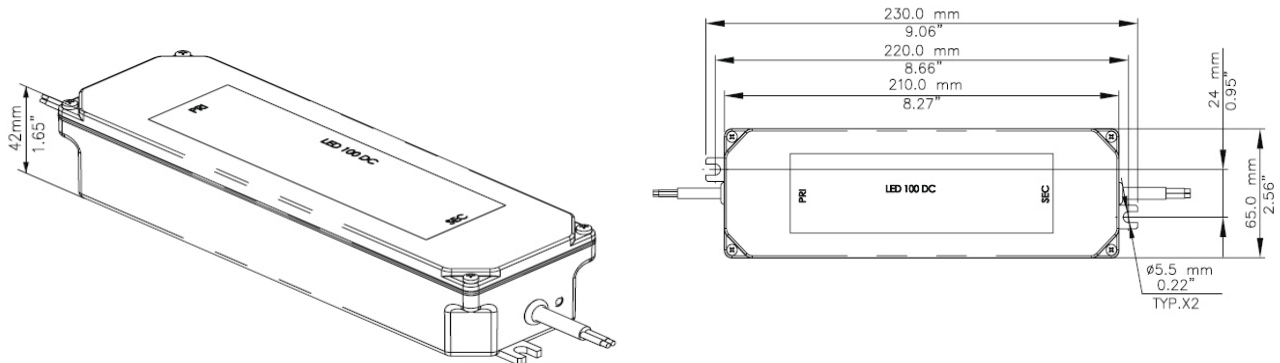
We reserve the right to make changes to our products.

Candeo E.

Made in Finland

www.candeeffect.com

Power Unit LED100W DC 24V, Aluminum casing, European version



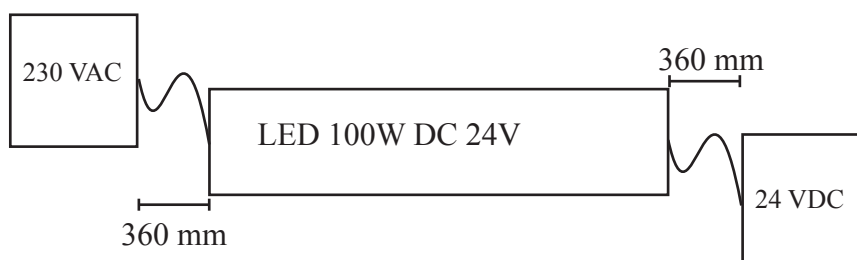
Standards	
Converter meets CE standards	
Pending VDE and VDE EMC	

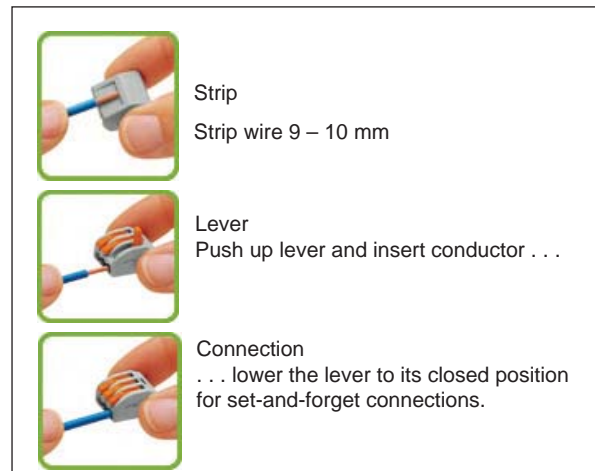
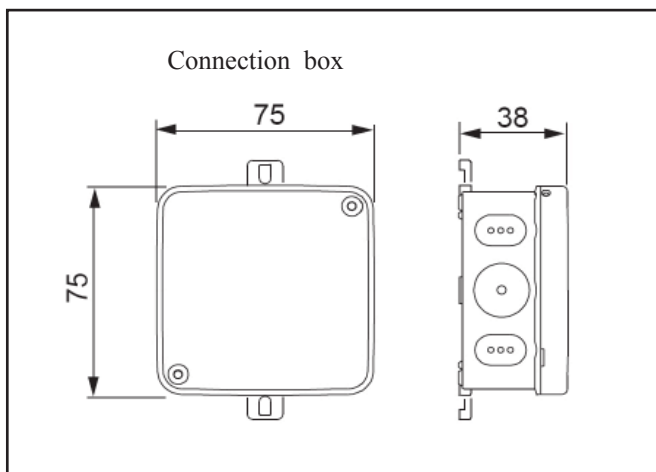
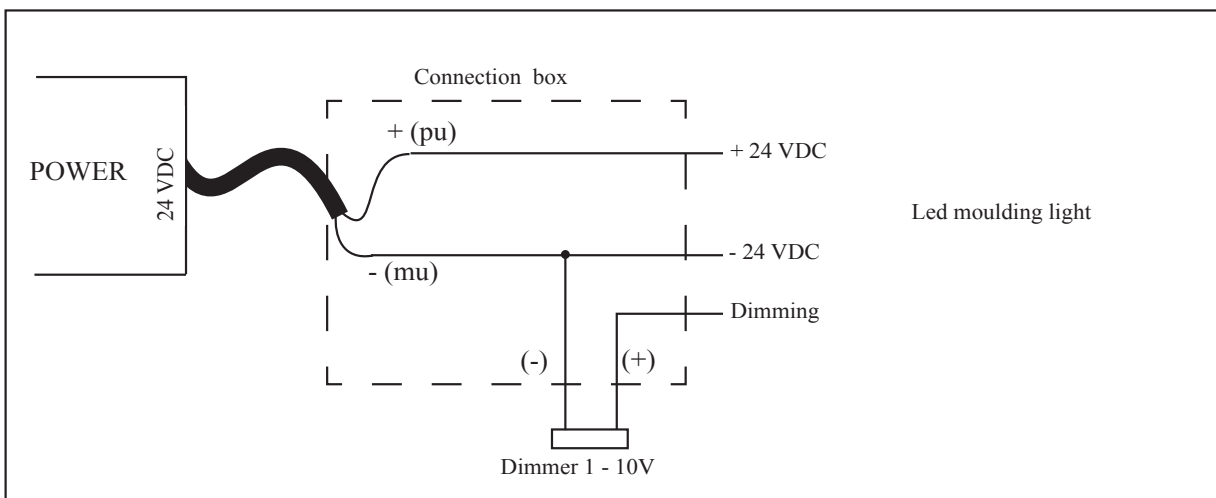
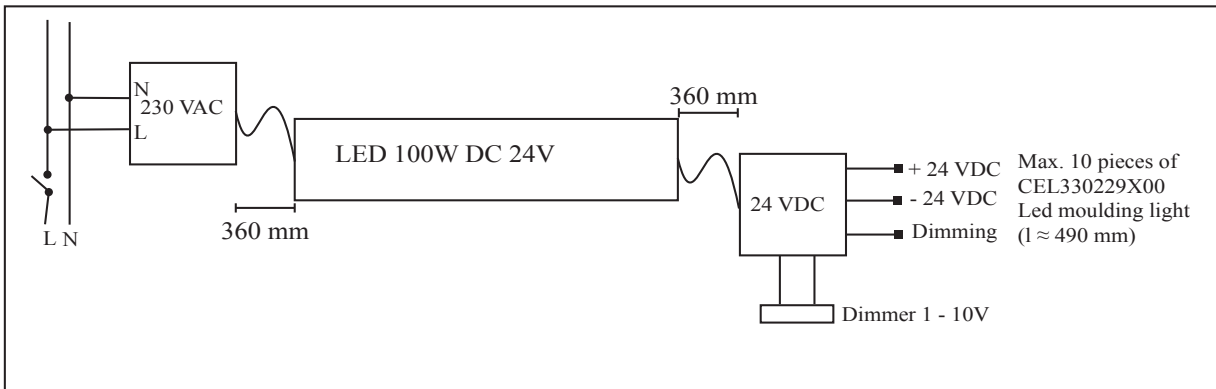
Mechanical and Thermal	
Product code	CEL30041
Type	LED 100W DC 24V
One Power	5 meters Candeco E Led moulding light CEL330205X00
Casing	Aluminium casing
Dimension (mm)	230 x 65 x 42
Weight	800 grams
Tc Max	90° C
Ta Max	50° C
Output wire -	FEP 1.5 mm ² 300/300V 180° C 2 sections
Input wire -	FEP 0.75 mm ² 300/300V 180° C 3 sections
	Grounding wire
Warranty	4 years
Manufacturer	Savled/Lightech
	IP65

Electrical	
Load	1 - 100VA
Input	100 - 240V 50/60Hz
Output voltage	± 10 %
EMC (RFI)	FCC Class B/EN 55015
Harmonics	EN 61000-3-2
Electrostatic Discharge	IEC61000-4-2
EMC Immunity	IEC61000-4-3
Burst	IEC61000-4-4
Surge	IEC61000-4-5
Injected RF	IEC61000-4-6
Mains interruption	IEC61000-4-11
Immunity	EN 61547/61047
Safety	EN 61347-2-2
	SELV

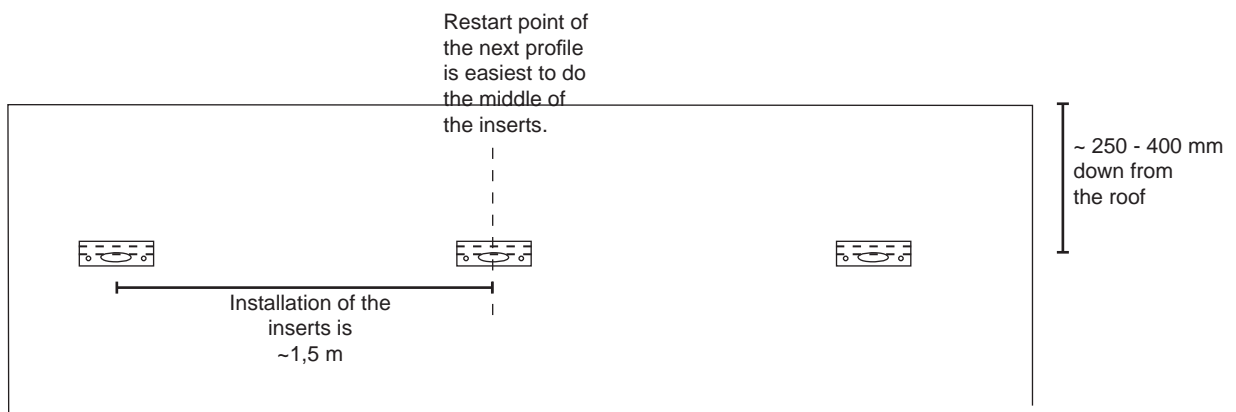
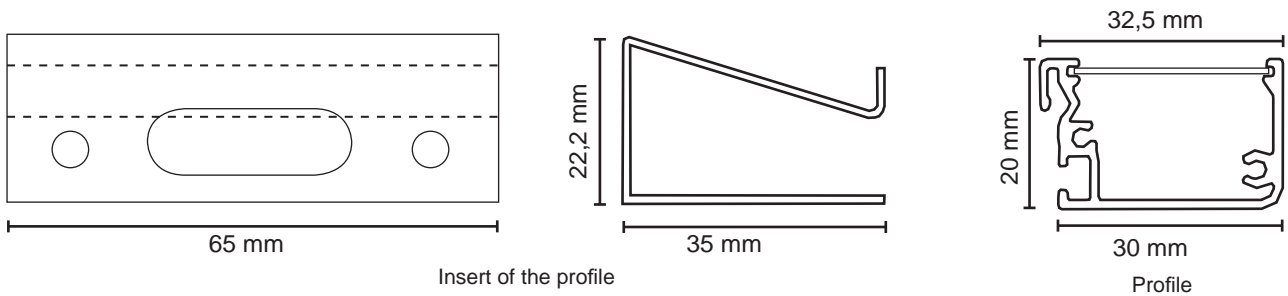
Protection and Regulation

Electronic internal resettable short circuit protection.
Thermal protection and overload regulation.

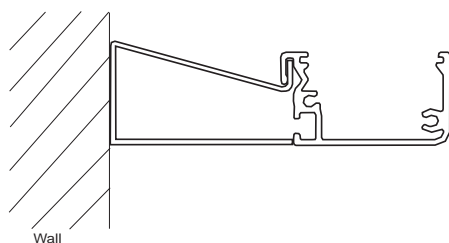




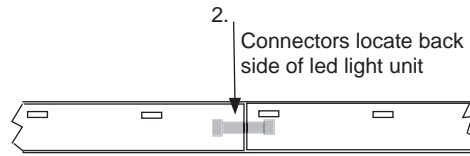
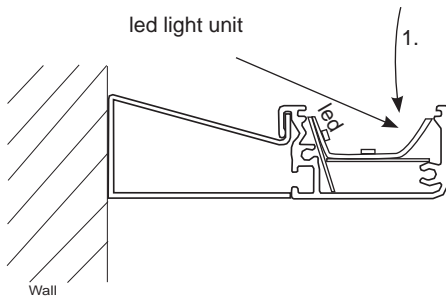
Light installation



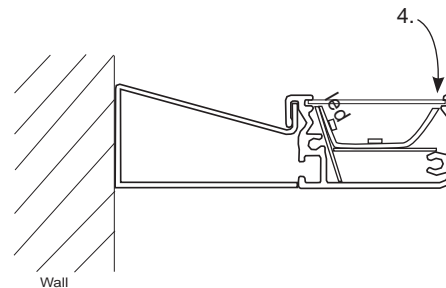
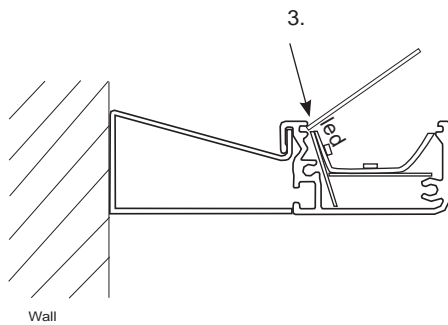
1. Design places for the inserts.
 - Inserts of the profile install about 250 - 400 mm down from the roof.
 - Installation of the inserts is about 1,5 m or a symmetric. (Notice the material of the wall.)
 - Install the inserts which come nearest the edge to the near corner.
 - If you want, you can install the feed cable through the insert of the profile.
2. Install inserts with two (2) screws. If you need use plug. Straight line of the inserts come under and helical cut up.
3. Install profile to the inserts. See the picture below.



Light installation



1. Install the led light unit:
Check that led light unit goes to the bottom of the profil. Leds locate on the wall side.
2. Connect the led light units with connectors. Connect the feed cable to the first led light unit.
Notice: maximum amount is 10 led light units per one power.
3. Install the protecting board to the back border first.
4. Push the protecting board to the front border. The protecting board "pops" when it is on place.

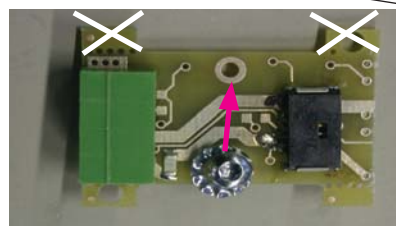
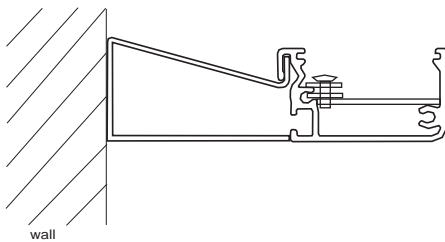
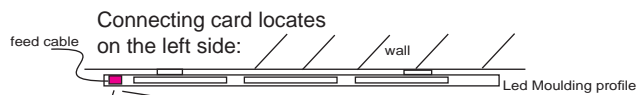


Installation of the connecting card (CEL680 231 000):

Cut the following fastenings off:

Installation on the **left side**:

Cut the follow fastenings off: see the picture
Screw mounts the same side as the cutting fastenings.



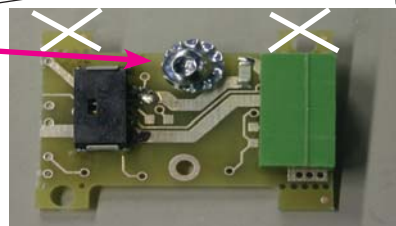
The place of the screw chance!

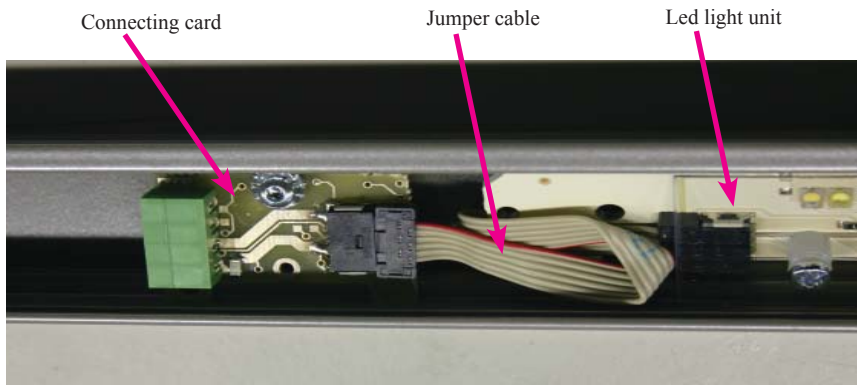


Installation on the **right side**:

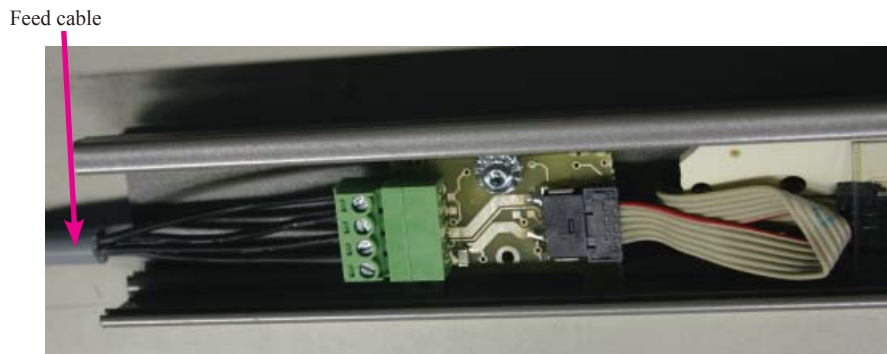
Cut the follow fastenings off: see the picture
Screw mounts the same side as the cutting fastenings.

Connecting card locates on the right side:





Connect from jumper cable of the led light unit to the connecting card. Black connectors attach only one-way.



Connect from the feed cable (from power) to the green connector (on the connecting card). Connector attach only one-way.

Connection of the feed cable (from Power):

Led light unit "Dynamic" (CEL 330 229 900):

Screws

D	C	-	+

D = Dimming
 C = color temperature
 + = + 24 VDC
 - = - 24 VDC

Other led light sources (CEL 330 229 100, CEL 330 229 200 and CEL 330 229 300):

Screws

D	C	-	+

D = Dimming
 C = Empty; NO CONNECT
 + = + 24 VDC
 - = - 24 VDC

Manufacturer:
 Savled /Diranet Oy
 Laitaatsillantie 3
 57170 SAVONLINNA
 FINLAND
 Tel. +358 15 555 0031