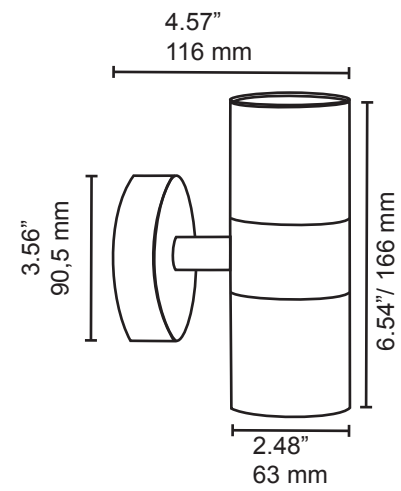
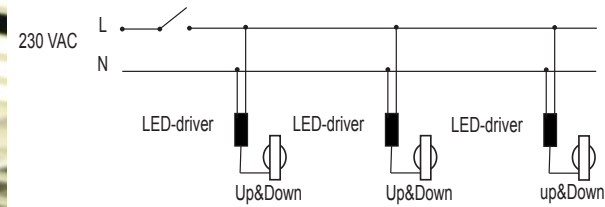


# Outdoor light systems



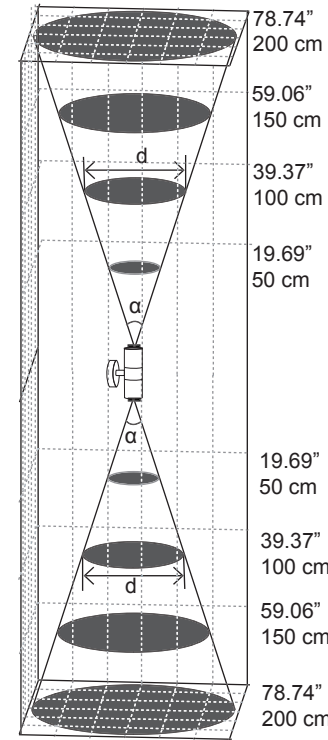
Stainless steel

Connecting:



Frame	Stainless steel
Power	Constant current 350 mA led driver
Connection	Must be wired in series
Operating temperature	- 40 °C - + 60 °C
Life time	100.000 h with a 30 % decrease in luminous flux
Warranty	Light unit: 6 years

# Outdoor light systems



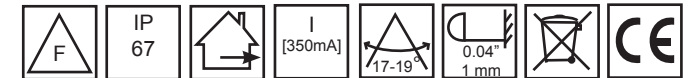
Warm White	Beam angle 19 °	CRI 80
Distance (in/cm)	Illuminance maximum (lx)	Beam width (d)
19.69' / 50 cm	790	6.69' / 17 cm
39.37' / 100 cm	210	13.39' / 34 cm
59.06' / 150 cm	94	19.29' / 49 cm
78.74' / 200 cm	53	25.92' / 66 cm

Cool White	Beam angle 18 °	CRI 70
Distance (in/cm)	Illuminance maximum (lx)	Beam width (d)
19.69' / 50 cm	1210	6.3' / 16 cm
39.37' / 100 cm	320	12.2' / 31 cm
59.06' / 150 cm	145	17.72' / 45 cm
78.74' / 200 cm	83	24.41' / 62 cm

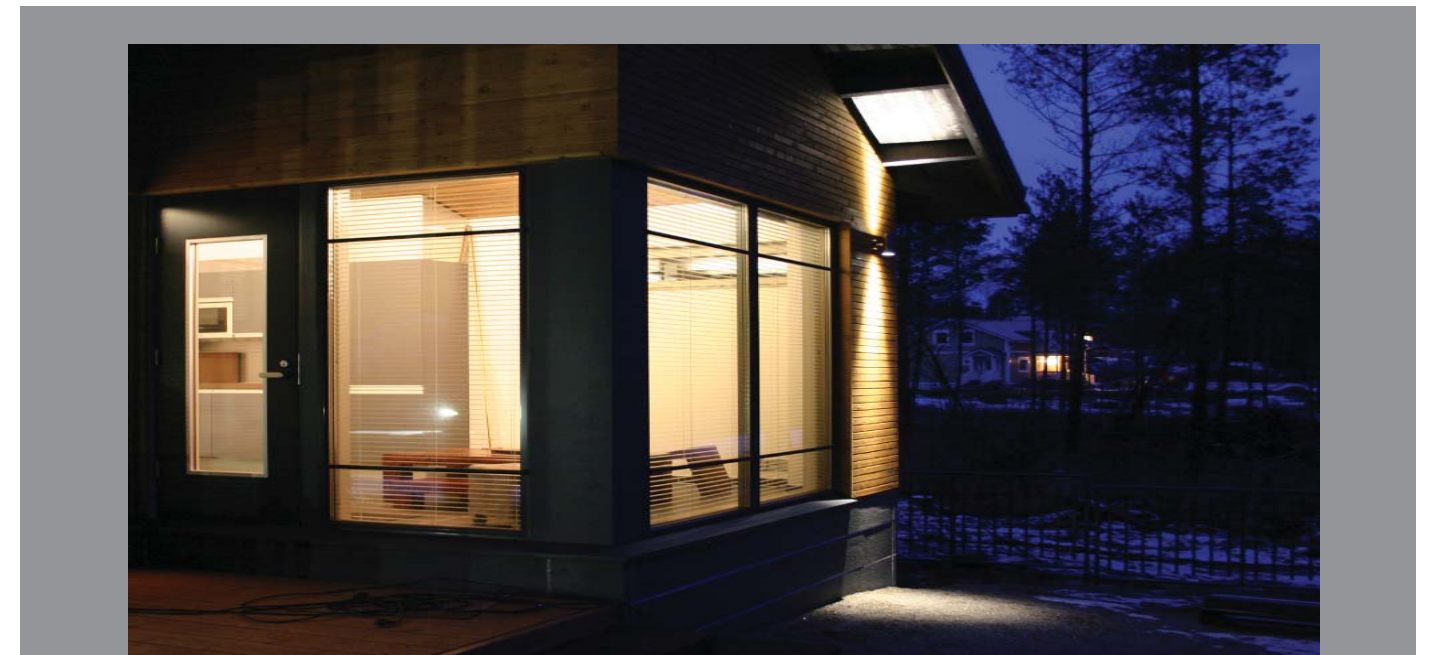
Neutral White	Beam angle 17 °	CRI 80
Distance (in/cm)	Illuminance maximum (lx)	Beam width (d)
19.69' / 50 cm	1180	5.91' / 15 cm
39.37' / 100 cm	310	11.42' / 29 cm
59.06' / 150 cm	141	17.32' / 44 cm
78.74' / 200 cm	81	22.83' / 58 cm

	Luminous flux of the light source
warm white	60 lm
neutral white	70 lm
cool white	90 lm

Up&Down



Product code	Model	Frame	Colour	W	K	Led
CEL110 133 153	Up&Down	Stainless steel	warm white	7	2800	Rebel
CEL110 133 253	Up&Down	Stainless steel	neutral white	7	4000	Rebel
CEL110 133 353	Up&Down	Stainless steel	cool white	7	6000	Rebel



We reserve the right to make changes to our products

*Candeo L.*

Made in Finland

www.candeeffect.com

Made in Finland

www.candeeffect.com

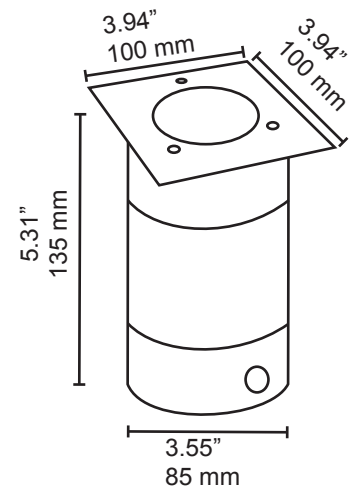
*Candeo L.*

We reserve the right to make changes to our products

# Outdoor light systems



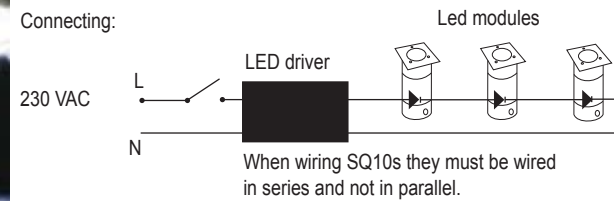
SQ10



Stainless steel; model spot



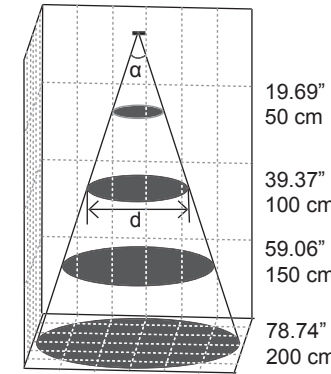
Stainless steel; model diffused light



Frame	Stainless steel
Power	Constant current 350 mA led driver
Connection	Must be wired in series
Operating temperature	- 40 °C - + 60 °C
Life time	100.000 h with a 30 % decrease in luminous flux
Warranty	Light unit: 6 years
	Drive-over and walkover glass

# Outdoor light systems

## SQ10; recessed spot light

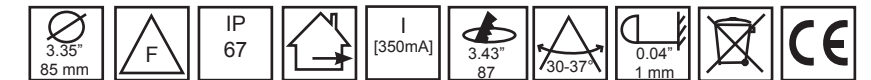


Warm White	Beam angle 34 °	CRI 80
Distance (in/cm)	Illuminance maximum (lx)	Beam width (d)
19.69"/ 50 cm	235	12.2"/ 31 cm
39.37"/ 100 cm	60	24.4"/ 62 cm
59.06"/ 150 cm	25	36.6"/ 93 cm
78.74"/ 200 cm	15	48.82"/ 124 cm

Cool White	Beam angle 37 °	CRI 70
Distance (in/cm)	Illuminance maximum (lx)	Beam width (d)
19.69"/ 50 cm	415	12.99"/ 33 cm
39.37"/ 100 cm	105	25.98"/ 66 cm
59.06"/ 150 cm	45	39.76"/ 101 cm
78.74"/ 200 cm	25	53.54"/ 136 cm

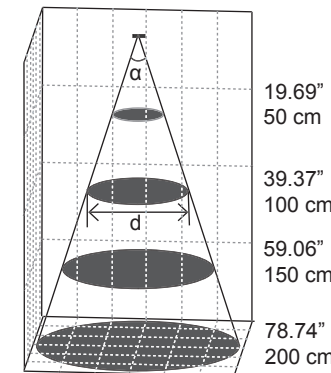
Neutral White	Beam angle 30 °	CRI 80
Distance (in/cm)	Illuminance maximum (lx)	Beam width (d)
19.69"/ 50 cm	220	10.63"/ 27 cm
39.37"/ 100 cm	55	21.26"/ 54 cm
59.06"/ 150 cm	25	31.89"/ 81 cm
78.74"/ 200 cm	15	42.52"/ 108 cm

	Luminous flux of the light source
warm white	60 lm
neutral white	70 lm
cool white	90 lm



Product code	Model	Frame	Colour	W	K	Led
CEL110 130 151	SQ10, spot	Stainless steel	warm white	1,25	2800	Rebel
CEL110 130 251	SQ10, spot	Stainless steel	neutral white	1,25	4000	Rebel
CEL110 130 351	SQ10, spot	Stainless steel	cool white	1,25	6000	Rebel

## SQ10; recessed diffused light

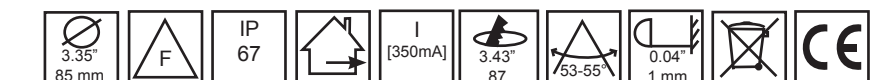


Warm White	Beam angle 53 °	CRI 80
Distance (in/cm)	Illuminance maximum (lx)	Beam width (d)
19.69"/ 50 cm	12	20.08"/ 51 cm
39.37"/ 100 cm	3,0	40.16"/ 102 cm
59.06"/ 150 cm	1,4	57.48"/ 146 cm
78.74"/ 200 cm	0,8	77.95"/ 198 cm

Cool White	Beam angle 55 °	CRI 70
Distance (in/cm)	Illuminance maximum (lx)	Beam width (d)
19.69"/ 50 cm	22	21.26"/ 54 cm
39.37"/ 100 cm	5,8	40.16"/ 102 cm
59.06"/ 150 cm	2,6	61.42"/ 156 cm
78.74"/ 200 cm	1,6	81.5"/ 207 cm

Neutral White	Beam angle 53 °	CRI 80
Distance (in/cm)	Illuminance maximum (lx)	Beam width (d)
19.69"/ 50 cm	14	20.47"/ 52 cm
39.37"/ 100 cm	3,5	40.55"/ 103 cm
59.06"/ 150 cm	1,6	57.48"/ 146 cm
78.74"/ 200 cm	0,9	78.35"/ 199 cm

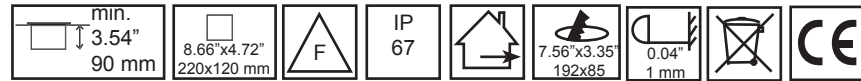
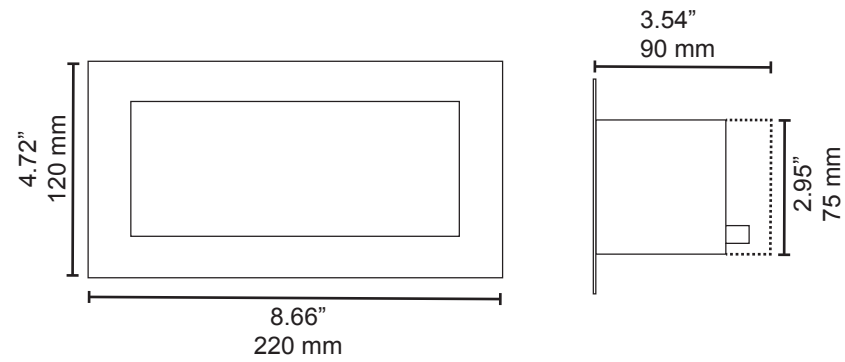
	Luminous flux of the light source
warm white	60 lm
neutral white	70 lm
cool white	90 lm



Product code	Model	Frame	Colour	W	K	Led
CEL120 130 150	SQ10, diffused light	Stainless steel	warm white	1,25	2800	Rebel
CEL120 130 250	SQ10, diffused light	Stainless steel	neutral white	1,25	4000	Rebel
CEL120 130 350	SQ10, diffused light	Stainless steel	cool white	1,25	6000	Rebel

# Outdoor light systems

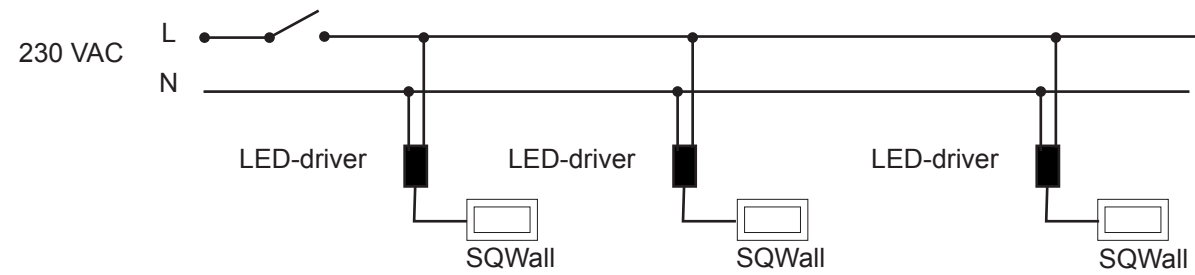
Frame	Aluminum
Power	Constant current 350 mA led driver
Connection	Must be wired in series
Operating temperature	- 40 °C - + 60 °C
Life time	50.000 h with a 30 % decrease in luminous flux
Warranty	Light unit: 6 years



## SQWall; recessed led light

Product code	Model	Frame	Colour	W	K	Led
CEL110 140 150	SQWall	Aluminum	warm white	10	2800	Rebel
CEL110 140 250	SQWall	Aluminum	neutral white	10	4000	Rebel
CEL110 140 350	SQWall	Aluminum	cool white	10	6000	Rebel

Connecting:



# Extra information

- IP-rating
- Only insed use
- Outside use
- Cut-out size(in/mm)
- Minimum distance to the illuminated surface (in/mm)
- Diameter (in/mm)
- Diameter (in/mm)
- Beam angle
- Protection class (safety extra low voltage)
- A luminaire is suitable for mounting on to normally combustible surfaces
- Recess fitting(in/mm)
- CE-mark
- Current
- Dimmable
- You shouldn't dispose of the item with normal household waste