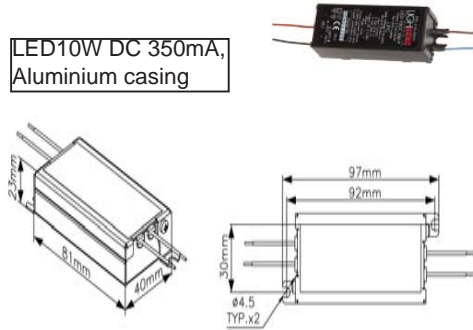


# Power supplies

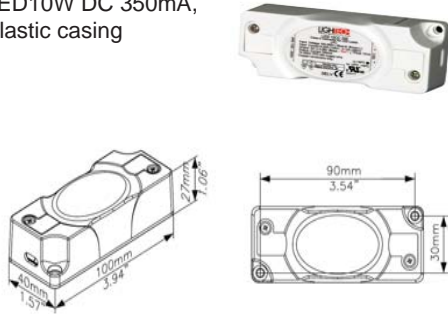
|                |                                     |
|----------------|-------------------------------------|
| Product code   | CEL07391                            |
| Type           | LED 10W DC 350 mA Aluminium housing |
| Number of LEDs | 1 - 7 (LEDs in series)              |
| Casing         | Aluminium casing                    |
| Dimension (mm) | 23 x 40 x 81                        |
| Weight         | 165 g                               |
| Tc Max         | 90° C                               |
| Connection     | Output / Input wires                |
| Load           | 1 -10VA                             |
| Input          | 120-240V 50Hz                       |
| Output current | 350 mA                              |
| Output voltage | 2 - 29 V                            |
|                | IP67                                |
| Warranty       | 4 years                             |
| Manufacturer   | Lightech                            |

LED10W DC 350mA, Aluminium casing



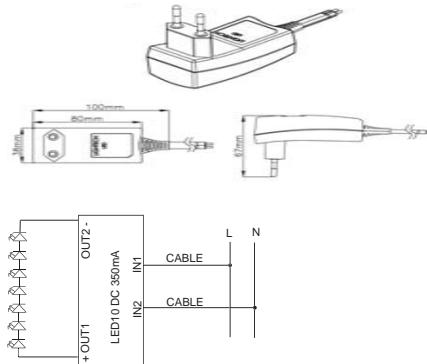
|                |                           |
|----------------|---------------------------|
| Product code   | CEL07392                  |
| Type           | LED 10W DC 350 mA         |
| Number of LEDs | 1 - 7 (LEDs in series)    |
| Casing         | Plastic casing            |
| Dimension (mm) | 27 x 40 x 100             |
| Weight         | 90 g                      |
| Tc Max         | 90° C                     |
| Connection     | Terminal block connection |
| Load           | 1 -10VA                   |
| Input          | 120-240V 50Hz             |
| Output current | 350 mA                    |
| Output voltage | 2 - 29 V                  |
| Warranty       | 4 years                   |
| Manufacturer   | Lightech                  |
|                | Only inside use           |

LED10W DC 350mA, Plastic casing



|                |                                    |
|----------------|------------------------------------|
| Product code   | CEL07393                           |
| Type           | LED 10W DC 350 mA Plug-in          |
| Number of LEDs | 1 - 7 (LEDs in series)             |
| Casing         | Plastic casing (silver)            |
| Dimension (mm) | 33 x 38 x 80                       |
| Weight         | 150 g                              |
| Tc Max         | 90° C                              |
| Connection     | Output 1,5 m double insulated wire |
| Load           | 1 -10VA                            |
| Input          | 95-265V 50Hz                       |
| Output current | 350 mA                             |
| Output voltage | 2 - 28 V                           |
| Warranty       | 4 years                            |
| Manufacturer   | Lightech                           |

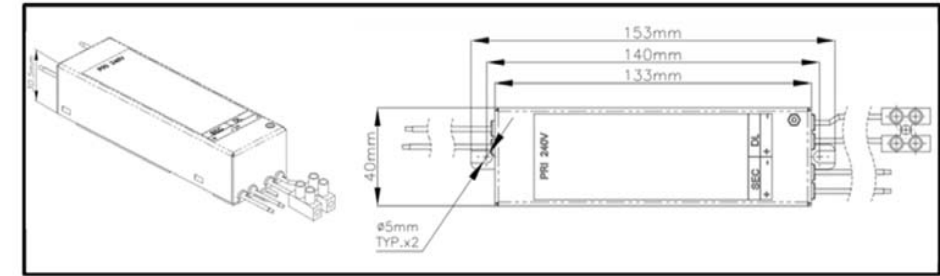
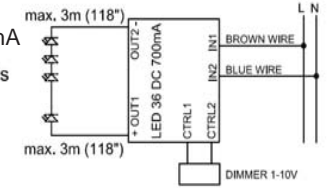
LED10W DC 350mA, Plug-In



# Power supplies

|                |                                     |
|----------------|-------------------------------------|
| Product code   | CEL10041                            |
| Type           | LED 18W DC 350 mA Aluminium housing |
| Number of LEDs | 4 - 12 (LEDs in series)             |
| Dimming        | 1 - 10 V Dimming control            |
| Casing         | Aluminium casing                    |
| Dimension (mm) | 30,5 x 40 x 133                     |
| Weight         | 300 g                               |
| Tc Max         | 90° C                               |
| Connection     | Output / Input wires                |
| Input          | 240V 50Hz                           |
| Output current | 350 mA                              |
| Output voltage | 8 - 48 V                            |
|                | IP67                                |
| Warranty       | 4 years                             |
| Manufacturer   | Lightech                            |

LED18W DC 350mA  
From 4 to 12 leds in series.



|                |                                     |
|----------------|-------------------------------------|
| Product code   | CEL10042                            |
| Type           | LED 36W DC 700 mA Aluminium housing |
| Number of LEDs | 4 - 12 LEDs in series               |
| Dimming        | 1 - 10 V Dimming control            |
| Casing         | Aluminium casing                    |
| Dimension (mm) | 30,5 x 40 x 133                     |
| Weight         | 300 g                               |
| Tc Max         | 90° C                               |
| Connection     | Output / Input wires                |
| Input          | 240V 50Hz                           |
| Output current | 700 mA (4 - 12 LEDs)                |
| Output voltage | 8 - 48 V                            |
|                | IP67                                |
| Warranty       | 4 years                             |
| Manufacturer   | Lightech                            |

LED36W DC 700mA

LED 700mA  
From 4 to 12 leds in series.

