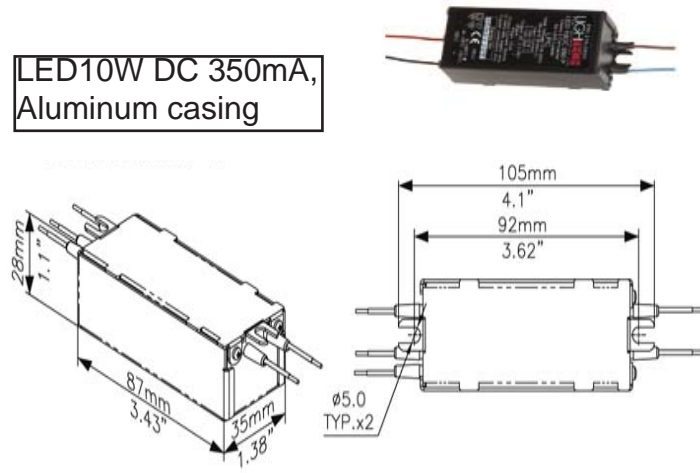


Power supplies

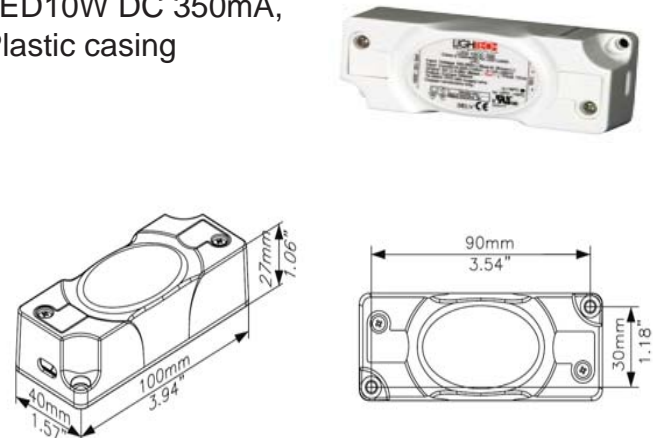
Product code	CEL07394
Type	LED 10W DC 350 mA Aluminum housing
Number of LEDs	1 - 7 (LEDs in series)
Casing	Aluminum casing
Dimension (in)	1.1" x 1.38" x 3.43"
Weight	5.8 ounces
Tc Max	90° C
Connection	Output / Input wires
Load	1 -10VA
Input	110V 60Hz
Output current	350 mA
Output voltage	2 - 29 V
	IP67
Warranty	4 years
Manufacturer	Lightech

LED10W DC 350mA, Aluminum casing



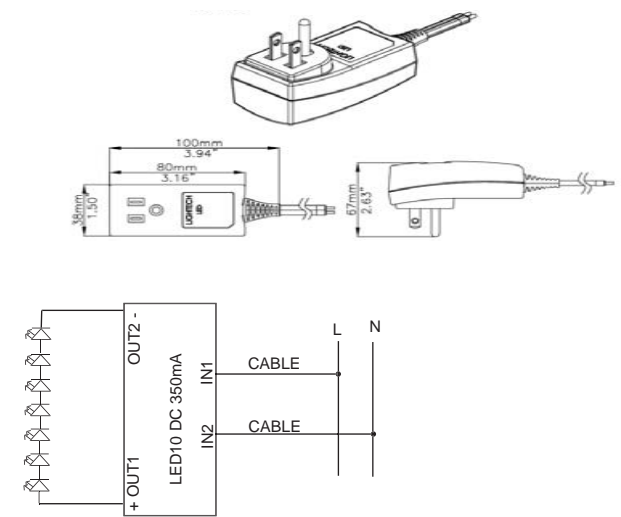
Product code	CEL07395
Type	LED 10W DC 350 mA Plastic casing
Number of LEDs	1 - 7 (LEDs in series)
Casing	Plastic casing
Dimension (in)	1.06" x 1.57" x 3.94"
Weight	3 ounces
Tc Max	90° C
Connection	Terminal block connection
Load	1 -10VA
Input	110v 60Hz
Output current	350 mA
Output voltage	2 - 29 V
Warranty	4 years
Manufacturer	Lightech
	Only inside use

LED10W DC 350mA, Plastic casing



Product code	CEL07396
Type	LED 10W DC 350 mA Plug-in
Number of LEDs	1 - 7 (LEDs in series)
Casing	Plastic casing (silver)
Dimension (mm)	1.3" x 1.5" x 3.16"
Weight	7.4 ounces
Tc Max	90° C
Connection	Output 1,5 m double insulated wire
Load	1 -10VA
Input	110V 60Hz
Output current	350 mA
Output voltage	2 - 28 V
Warranty	4 years
Manufacturer	Lightech

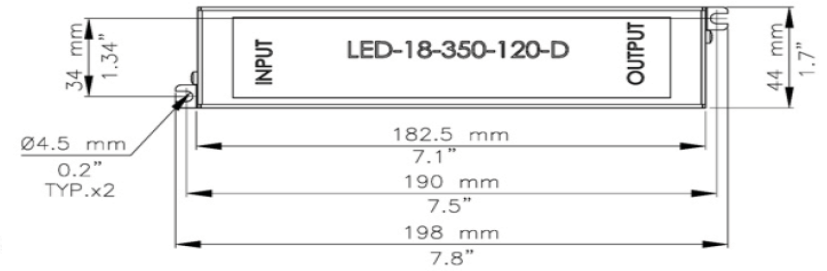
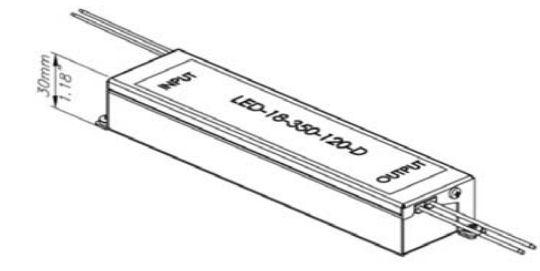
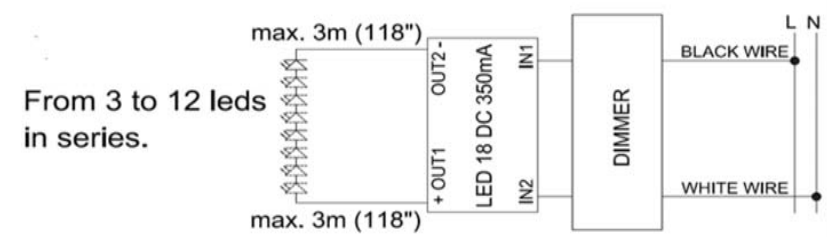
LED10W DC 350mA, Plug-In



Power supplies

Product code	CEL10043
Type	LED 18W DC 350 mA Aluminum housing
Number of LEDs	3 - 12 (LEDs in series)
Dimming	Dimming control
Casing	Aluminum casing
Dimension (mm)	7.09" x 1.73" x 1.18"
Weight	10.58 ounces
Connection	Output / Input wires
Input	110V 60Hz
Output current	350 mA
Output voltage	5.6 - 42 V
	IP67
Warranty	4 years
Manufacturer	Lightech

LED18W DC 350mA



Product code	CEL10044
Type	LED 36W DC 700 mA Aluminum housing
Number of LEDs	3 - 12 LEDs in series
Dimming	Dimming control
Casing	Aluminum casing
Dimension (mm)	7,09" x 1,73" x 1,18"
Weight	10.58 ounces
Connection	Output / Input wires
Input	110V 60Hz
Output current	700 mA (3 - 12 LEDs)
Output voltage	5.6 - 42 V
	IP67
Warranty	4 years
Manufacturer	Lightech

LED36W DC 700mA

